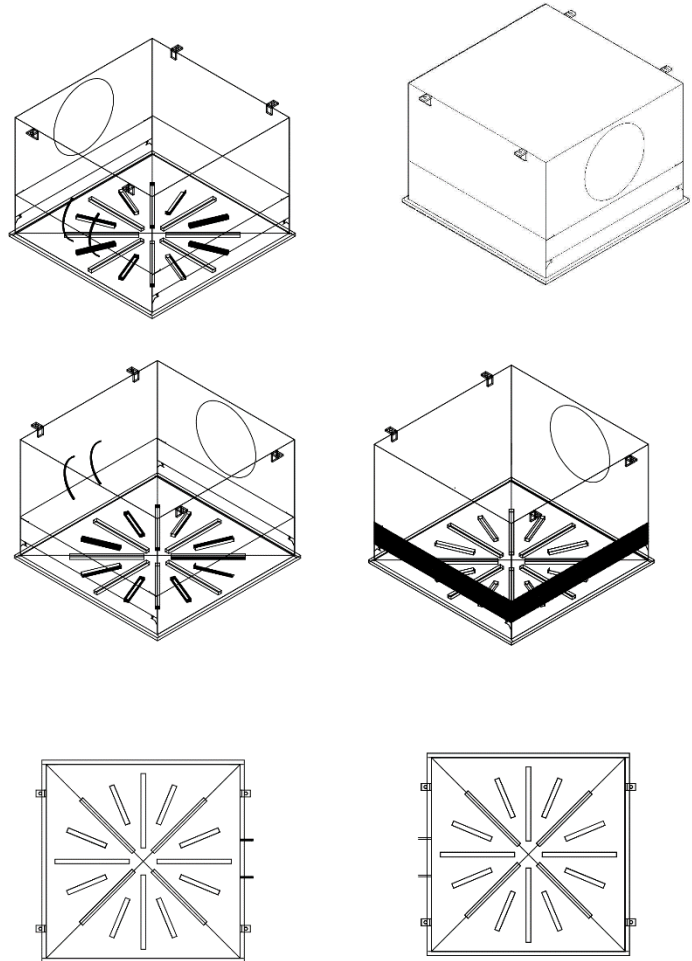
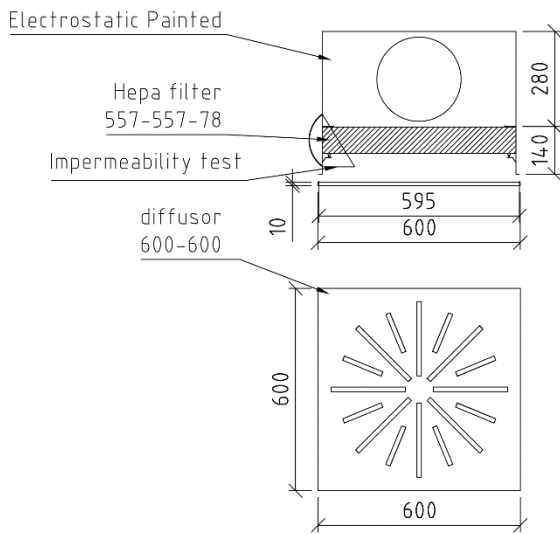




Code	Material Type	Box Size mm w x l x d	Filter Size mm w x l x d	Weight kg
HBPYT250SDH-0575-0575-420	Powder Coated DKP Metal	0575-0575-420	0557-0557-078	9.00





ABSOLUTE FILTERS



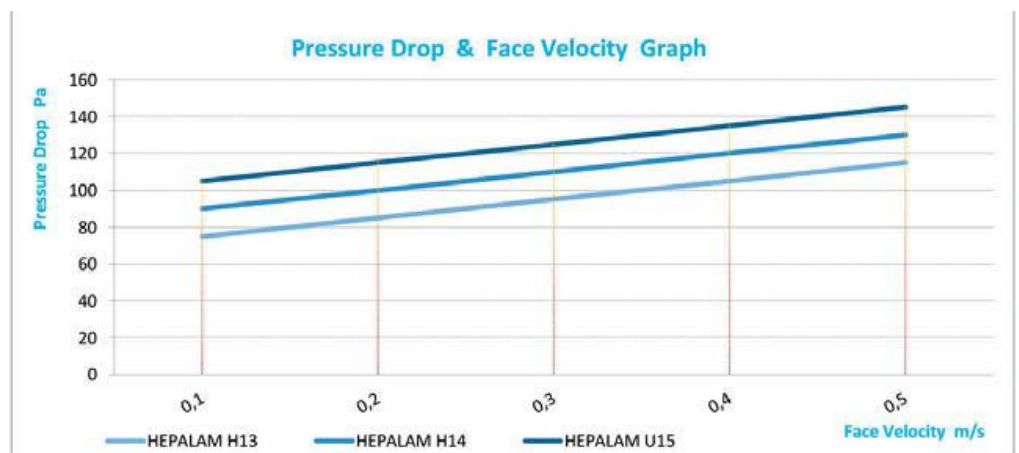
HL14ARM2PG-0557-0557-078

Filter Type	HL	HEPALAM
Filter Class EN 1822	14	H13 & H14
Filter Frame	A	Aluminum
Filter Media	R	Glass Fiber & Hot Melt
Filter Panel Depth	M	78 mm
Filter Surface Grid	2	Two Surface Grid
Filter Gasket Type	P	Polyurethane
Filter Gasket Direction	G	Air Inlet
Filter Size	0557-0557-078	
Filter CODE Structure		

Applications

To be used for absolute air filtration in controlled contamination environments, clean rooms, LAF benches and operating rooms

Filter Class	EN 1822		
	H13	H14	U15
Average Efficiency	≥ 99,95%	≥ 99,9955%	≥ 99,9995%
Max. Working Temperature	80°C		
Relative Humidity	100%		
Final Pressure Drop	600 Pa.		
Filter Stage	III		



Recommended final pressure drop ≤ 600 Pa.
Maximum final pressure drop ≤ 1000 Pa.



HEPALAM 78 ARM SERIES

Code	Size W x L x D	Filter Class EN 1822	Filter Depth mm	Filter Surface m ²	Air Flow m ³ /h	In. Pressure Drop Pa.	Weight kg
HL13ARM2PG	0305-0305-078	H13	78	2,80	150	110	1,85
	0305-0610-078	H13	78	5,50	300	110	3,50
	0457-0457-078	H13	78	6,00	350	110	4,25
	0457-0610-078	H13	78	8,00	450	110	6,50
	0557-0557-078	H13	78	10,50	500	110	6,80
	0610-0762-078	H13	78	13,00	750	110	8,50
	0610-0915-078	H13	78	15,50	900	110	10,00
	0610-1220-078	H13	78	21,00	1200	110	12,50
	0762-0762-078	H13	78	16,50	900	110	10,00
	0762-0915-078	H13	78	20,00	1150	110	10,50
	0915-0915-078	H13	78	24,00	1350	110	11,50

Code	Size W x L x D	Filter Class EN 1822	Filter Depth mm	Filter Surface m ²	Air Flow m ³ /h	In. Pressure Drop Pa.	Weight kg
HL14ARM2PG	0305-0305-078	H14	78	2,80	150	125	1,85
	0305-0610-078	H14	78	5,50	300	125	3,50
	0457-0457-078	H14	78	6,00	350	125	4,25
	0457-0610-078	H14	78	8,00	450	125	6,50
	0557-0557-078	H14	78	10,50	500	125	6,80
	0610-0762-078	H14	78	13,00	750	125	8,50
	0610-0915-078	H14	78	15,50	900	125	10,00
	0610-1220-078	H14	78	21,00	1200	125	12,50
	0762-0762-078	H14	78	16,50	900	125	10,00
	0762-0915-078	H14	78	20,00	1150	125	10,50
	0915-0915-078	H14	78	24,00	1350	125	11,50

Code	Size W x L x D	Filter Class EN 1822	Filter Depth mm	Filter Surface m ²	Air Flow m ³ /h	In. Pressure Drop Pa.	Weight kg
HL15ARM2PG	0305-0305-078	U15	78	2,80	150	140	1,85
	0305-0610-078	U15	78	5,50	300	140	3,50
	0457-0457-078	U15	78	6,00	350	140	4,25
	0457-0610-078	U15	78	8,00	450	140	6,50
	0557-0557-078	U15	78	10,50	600	140	6,80
	0610-0762-078	U15	78	13,00	750	140	8,50
	0610-0915-078	U15	78	15,50	900	140	10,00
	0610-1220-078	U15	78	21,00	1200	140	12,50
	0762-0762-078	U15	78	16,50	900	140	10,00
	0762-0915-078	U15	78	20,00	1150	140	10,50
	0915-0915-078	U15	78	24,00	1350	140	11,50